



[www.doosan-iv.com](http://www.doosan-iv.com)

## GX Plus Forklifts

### Pneumatic Diesel 2.0 to 3.0 ton Series

D20G/D25G/D30G PLUS

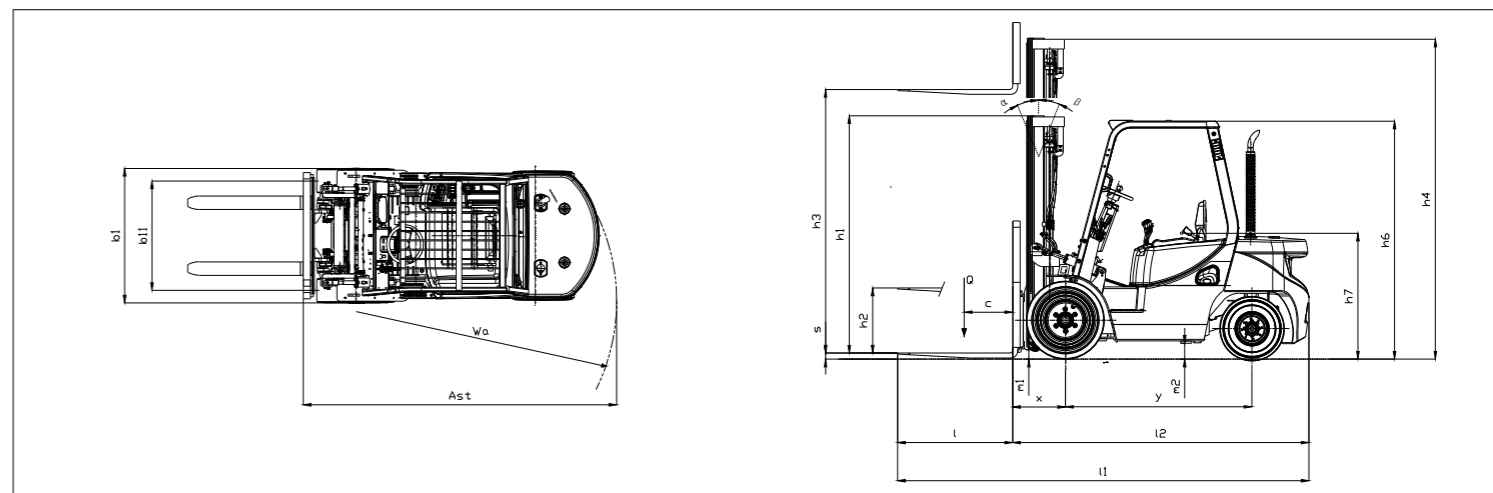
EPA Tier-3, Euro Stage IIIA



*Building your tomorrow today*

# Technical Data according to VDI 2198

Characteristics			Doosan	Doosan	Doosan		
	1.1	Manufacturer		Doosan	Doosan	Doosan	
1.2	Model designation		D20G PLUS	D25G PLUS	D30G PLUS		
1.3	Drive: Diesel, Gasoline, LP		Diesel	Diesel	Diesel		
1.4	Operator type: Hand, Pedestrian, Standing, Seated, Order-picker		Seated	Seated	Seated		
1.5	Load Capacity	Q	kg	2,000	2,500	3,000	
1.6	Load Center	c	mm	500	500	500	
1.8	Load Distance: Center of Driveaxle to fork	x	mm	467	467	482	
1.9	Wheelbase	y	mm	1,650	1,650	1,700	
Weight	2.1	Service weight		kg	3,570	3,890	4,460
	2.2	Axle Loading, Laden Front/Rear		kg	4,900/670	5,630/760	6,470/990
	2.3	Axle Loading, Unladen Front/Rear		kg	1,690/1,880	1,660/2,230	1,730/2,730
Tyres	3.1	Tyres: pneumatic (P), superelastic (SE), cushion (C)			P	P	P
	3.2	Tyre size, Front			7.00x12-12PR	7.00x12-12PR	28x9x15-14PR
	3.3	Tyre size, Rear			6.00x9-10PR	6.00x9-10PR	6.50x10-10PR
	3.5	Wheels, number Front/Rear (x = driven wheels)			X2/2	X2/2	X2/2
	3.6	Tread, Front	b11	mm	970	970	970
	3.7	Tread, Rear	b12	mm	980	980	980
	4.1	Tilt of Mast/Fork carriage Forward/Backward	$\alpha/\beta$	°	6/12	6/12	6/12
Dimensions	4.2	Height, Mast lowered	h1	mm	2,038	2,038	2,053
	4.3	Free Lift	h2	mm	150	150	150
	4.4	Lift	h3	mm	3,300	3,300	3,300
	4.5	Height, Mast Extended	h4	mm	4,571	4,571	4,580
	4.7	Height of Overhead Guard(Cabin)	h6	mm	2,143	2,143	2,160
	4.8	Height of Seat	h7	mm	1,168	1,168	1,185
	4.19	Overall Length	l1	mm	3,570	3,635	3,712
	4.20	Length to Forkface	l2	mm	2,520	2,585	2,662
	4.21	Overall Width	b1/b2	mm	1,165	1,165	1,228
	4.22	Fork Dimensions	s/e/l	mm	45X100X1,050	45X100X1,050	45X122X1,050
	4.23	Fork carriage ISO 2328, class/type A,B			II	II	III
	4.24	Fork carriage width	b3	mm	1,000	1,000	1,042
	4.31	Ground Clearance, laden, below mast	m1	mm	100	100	118
4.32	Ground Clearance, center of wheelbase	m2	mm	113	113	132	
4.34.1	Aisle width for pallets 1,000 x 1,200 crossways	Ast	mm	3,915	3,965	4,055	
4.34.2	Aisle width for pallets 800 x 1,200 crossways	Ast	mm	4,185	4,235	4,285	
4.35	Turning Radius	Wa	mm	2,250	2,300	2,375	
4.36	Internal Turning Radius	b13	mm	710	710	735	
Performance data	5.1	Travel Speed, Laden/Unladen		km/h	19.5/21	19.5/21	20/21.5
	5.2	Lift Speed, Laden/Unladen		m/s	521/570	510/570	490/570
	5.3	Lowering Speed, Laden/Unladen		m/s	560/580	560/580	550/580
	5.5	Drawbar pull, Laden/Unladen(@ 1.6km/h)		N	17,400/16,900	17,200/16,800	16,400/16,200
	5.6	Max. Drawbar pull, Laden/Unladen		N	19,970/18,950	19,750/18,860	18,230/17,790
	5.7	Gradeability, Laden/Unladen(@ 1.6km/h)		%	32.5/52	27.5/46	22.5/39
5.8	Max. Gradeability, Laden/Unladen		%	35.4/58.6	29.4/49.7	25.2/42	
5.10	Service Brake				Hydraulic	Hydraulic	
Combustion Engine	7.1	Engine Manufacturer/type			YANMAR/4TNE98	YANMAR/4TNE98	YANMAR/4TNE98
	7.2	Engine power according to DIN ISO1585		kW	43.7	43.7	43.7
	7.3	Rated Speed		min-1	2,300	2,300	2,300
	7.3.1	Torque at 1/min		N•m	181 @ 1,600	181 @ 1,600	181 @ 1,600
	7.4	Number of Cylinders/Displacement		-/cm <sup>3</sup>	4/4/3,319	4/4/3,319	4/4/3,319
7.10	Battery Voltage/normal capacity		V/Ah	12/90	12/90	12/90	
Addition Data	10.1	Operating pressure for attachments		bar	160	160	160
	10.2	Oil volume for attachments		l/min	65	65	65
	10.4	Fuel Tank Capacity		l	50	50	50
	10.7	Sound level at th driver's ear according to EN 12 053		dB(A)	86	86	86



## MAST SPECIFICATION and RATED CAPACITIES

### D20G PLUS

Mast type	Maximum Fork Height		Maximum Lowered Height		Fully Extended Height		Free Lift		Rated Load Capacities											
									With Load Backrest		With Load Backrest		D20G PLUS							
													Tilt Angle				Load Capacities			
													Single Pneu.		Double Pneu		Single Pneu.		Double Pneu	
FWD	BWD	FWD	BWD	LC 500mm	LC 24in	LC 500mm	LC 24in													
deg	deg	deg	deg	kg	lb	kg	lb													
STD	3,000	118	2,030	80	4,230	167	150	6	6	12	6	12	2,000	4,000	2,000	4,000				
	3,300	130	2,180	86	4,530	178	150	6	6	12	6	12	2,000	4,000	2,000	4,000				
	3,500	138	2,280	90	4,730	186	150	6	6	12	6	12	2,000	4,000	2,000	4,000				
	4,000	157	2,580	102	5,330	210	150	6	6	12	6	12	2,000	4,000	2,000	4,000				
	4,500	177	2,830	111	5,830	230	150	6	6	6	6	12	2,000	4,000	2,000	4,000				
5,000	197	3,080	121	6,330	249	150	6	6	6	6	12	1,475	3,250	1,950	3,950					
FF	3,210	126	2,130	84	4,460	176	925	36	6	12	6	12	2,000	4,000	2,000	4,000				
	4,270	168	1,990	78	5,540	218	785	31	6	6	6	12	1,975	3,950	1,950	3,950				
	4,710	185	2,130	84	5,960	235	925	36	6	6	6	12	1,800	3,850	1,875	3,800				
	5,540	218	2,480	98	6,785	267	1,275	50	6	6	6	12	1,050	2,350	1,750	3,550				
5,990	236	2,630	104	7,235	285	1,425	56	6	6	6	6	775	1,750	1,675	3,400					

### D25G PLUS

Mast type	Maximum Fork Height		Maximum Lowered Height		Fully Extended Height		Free Lift		Rated Load Capacities											
									With Load Backrest		With Load Backrest		D25G PLUS							
													Tilt Angle				Load Capacities			
													Single Pneu.		Double Pneu		Single Pneu.		Double Pneu	
FWD	BWD	FWD	BWD	LC 500mm	LC 24in	LC 500mm	LC 24in													
deg	deg	deg	deg	kg	lb	kg	lb													
STD	3,000	118	2,030	80	4,230	167	150	6	6	12	6	12	2,500	5,000	2,500	5,000				
	3,300	130	2,180	86	4,530	178	150	6	6	12	6	12	2,500	5,000	2,500	5,000				
	3,500	138	2,280	90	4,730	186	150	6	6	12	6	12	2,500	5,000	2,500	5,000				
	4,000	157	2,580	102	5,330	210	150	6	6	6	6	6	2,500	5,000	2,500	5,000				
	4,500	177	2,830	111	5,830	230	150	6	6	6	6	6	1,900	4,200	2,500	5,000				
5,000	197	3,080	121	6,330	249	150	6	6	6	6	6	1,350	3,000	2,450	4,950					
FF	3,210	126	2,130	84	4,460	176	925	36	6	12	6	12	2,500	5,000	2,500	5,000				
	4,270	168	1,990	78	5,540	218	785	31	6	6	6	6	2,250	4,950	2,475	5,000				
	4,710	185	2,130	84	5,960	235	925	36	6	6	6	6	1,700	3,750	2,375	4,850				
	5,540	218	2,480	98	6,785	267	1,275	50	6	4	6	4	1,125	2,500	2,225	4,550				
5,990	236	2,630	104	7,235	285	1,425	56	6	4	6	4	850	1,850	2,150	4,400					

### D30G PLUS

Mast type	Maximum Fork Height		Maximum Lowered Height		Fully Extended Height		Free Lift		Rated Load Capacities											
									With Load Backrest		With Load Backrest		D30G PLUS							
													Tilt Angle				Load Capacities			
													Single Pneu.		Double Pneu		Single Pneu.		Double Pneu	
FWD	BWD	FWD	BWD	LC 500mm	LC 24in	LC 500mm	LC 24in													
deg	deg	deg	deg	kg	lb	kg	lb													
STD	3,000	118	2,045	81	4,230	167	158	6	6	12	6	12	3,000	6,000	3,000	6,000				
	3,300	130	2,195	86	4,530	178	158	6	6	12	6	12	3,000	6,000	3,000	6,000				
	3,500	138	2,295	90	4,730	186	158	6	6	12	6	12	3,000	6,000	3,000	6,000				
	4,000	157	2,595	102	5,330	210	158	6	6	6	6	6	3,000	6,000	3,000	6,000				
	4,500	177	2,845	112	5,830	230	158	6	6	4	4	4	2,600	2,750	2,975	6,000				
5,000	197	3,095	122	6,330	249	158	6	6	4	4	4	1,825	4,050	2,875	5,800					
FF	3,210	126	2,145	84	4,460	176	940	37	6	12	6	12	3,000	6,000	3,000	6,000				
	4,270	168	2,005	79	5,540	218	800	31	6	6	6	6	2,850	5,950	2,925	5,950				
	4,710	185	2,145	84	5,960	235	940	37	6	4	6	4	2,425	5,350	2,825	5,750				
	5,540	218	2,495	98	6,785	267	1,290	51	6	4	6	4	1,375	3,050	2,650	5,400				
5,990	236	2,645	104	7,235	285	1,440	57	6	4	6	4	975	2,200	2,550	5,250					



[www.doosan-iv.com](http://www.doosan-iv.com)

AUTHORIZED DEALER